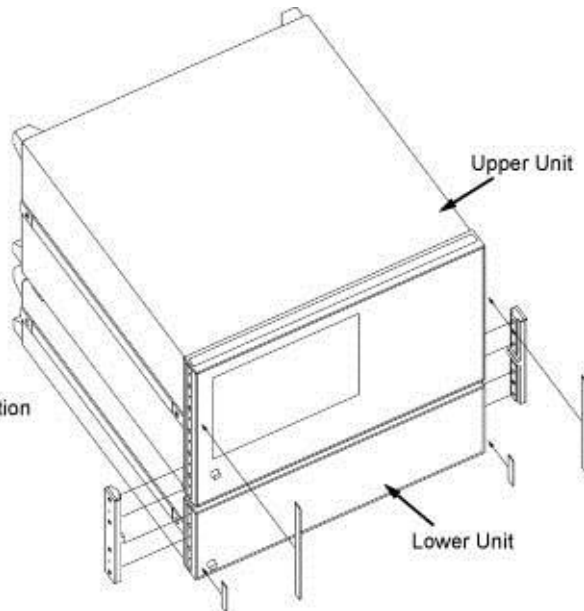


# DOCKING PLATE KIT

KEYSIGHT PART NUMBER E5053-60101

QTY.	CONTENTS	PART NO.
2...	DOCKING PLATE ASSEMBLY.....	E5053-60102
2...	TRIM-FR FR SIDE.....	E5052-25121
2...	TRIM-FR FR SIDE.....	E5052-25122

CAUTION  
This Docking Plate kit  
is available to use  
with the following condition  
Upper Unit  $\leq$  21 kgf  
Lower Unit  $\leq$  11 kgf



## WARNING



DO NOT ATTEMPT TO DOCKING PLATE SEPARATELY WITH HARDWARE PROVIDED.  
LIFT BOTH PRODUCTS AT THE SAME TIME AFTER APPLYING THIS KIT.

## INSTRUCTIONS

1. REMOVE SIDE TRIM STRIPS OF BOTH UNITS (UPPER&LOWER).
2. ATTACH DOCKING ASS'Y WITH 4 SCREWS PER SIDE.
3. PASTE THE NEW SIDE TRIM STRIPS TO BOTH UNITS AAS ABOVE INSTRUCTION.

INSTRUCTION SHEET NO.E5053-99011

# E5053-60101

